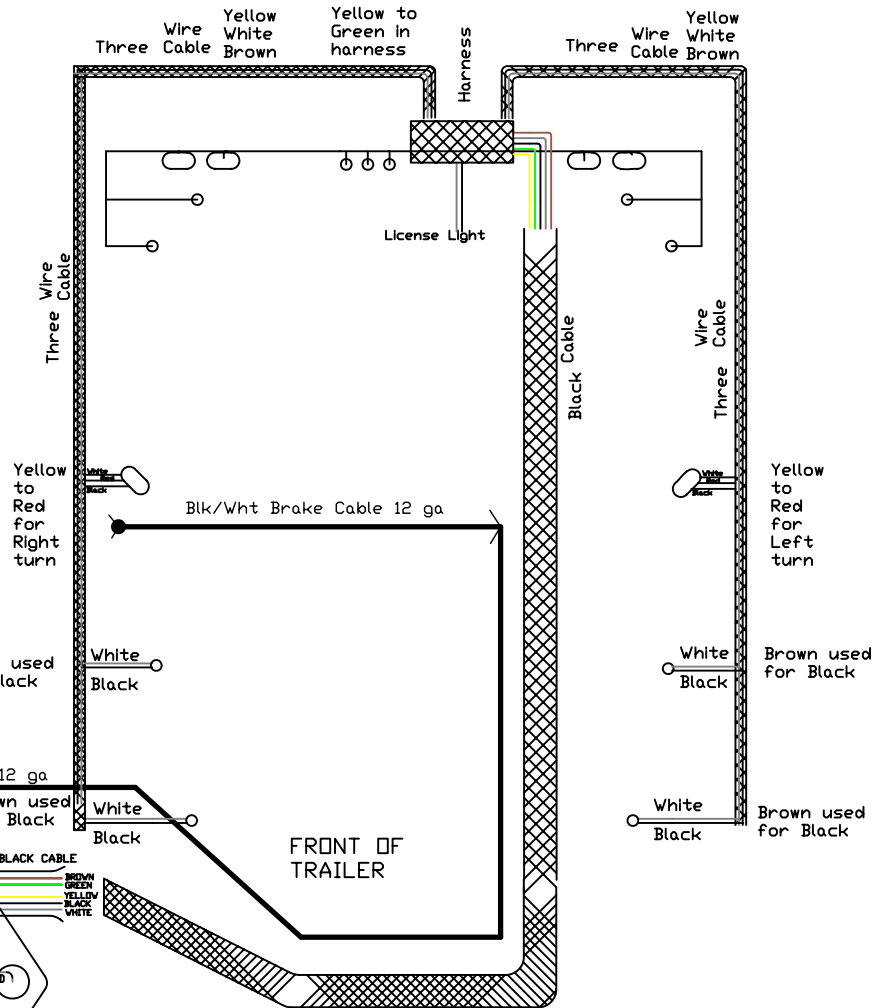
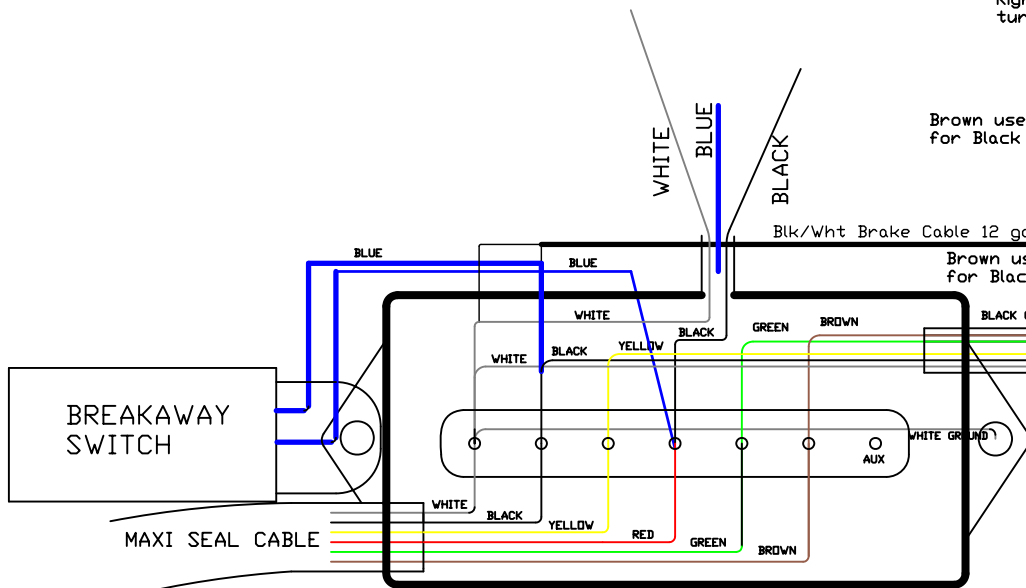
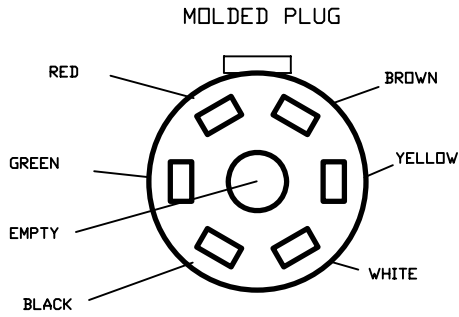



WHITE----GROUND  
 BLACK----BRAKES  
 YELLOW----LEFT TURN  
 RED----CHARGE TO BATTERY  
 GREEN----RIGHT TURN  
 BROWN----RUNNING LIGHTS



REGULAR GOOSENECKS		PART NO:	
		PART NO.	
MAT'L: WIRING DIAGRAM		ALL DIMENSIONS IN FEET/INCHES (UNLESS OTHERWISE NOTED)	
DRAWN: RRU SCALE:	CHK.: LAST REV.	APP.: DATE: 7/OCT/05	PHONE: 903-785-6879 FAX: 903-785-6898 THIS DRAWING, INCLUDING THE PRINCIPLE OF DESIGN, IS THE PROPERTY OF PJ TRAILERS MFG. AND MUST NOT BE USED FOR ANY PURPOSE DETRIMENTAL TO OUR INTEREST.
www.pj-trailers.com			